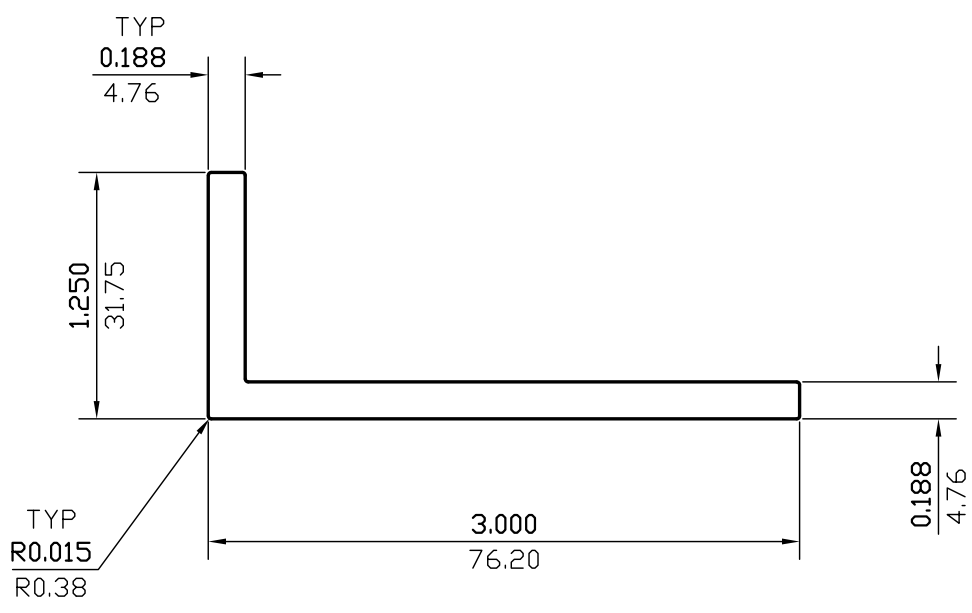


NOTE: BREAK ALL CORNERS WITH 0.015" (.38 MM) RADIUS UNLESS OTHERWISE NOTED. STANDARD TOLERANCES TO APPLY UNLESS OTHERWISE SPECIFIED.

CUSTOMER CAN ART STD.	DIE No. ES05837	REV. No. 1
DESCRIPTION 3" x 1-1/4" x 3/16" ANGLE	CUSTOMER PART No.	PROPOSAL No. S-18473
	QUOTE No. 07-0841-1	



WALL THICKNESS **0.188 (4.76)** EXCEPT AS SHOWN

DATE	REV	DESCRIPTION	BY
03/20/23	1	REMOVED ALLOY	JASON
EST. AREA	0.762	IN. ²	EST. AREA
EST. WT.	0.899	LBS/FT.	EST. WT.
EST. PER.	8.461	IN.	EST. PER.
OUT PER.		IN.	OUT PER.
C.C.D.	3.239	IN.	C.C.D.
FINISH	M/F		ALLOY
CKD BY	FACTOR 9	SCALE 1:1	DWN BY P.M. DATE 11/13/2007

CAN ART

85 PARKSHORE DRIVE
BRAMPTON, ONT L6T 5M1
TEL. NO. (905) 791-1464
FAX NO. (905) 791-9151
WEB: www.canart.com

ALUMINUM EXTRUSION INC.

THIS DRAWING IS NOT NECESSARILY A COPY OF YOUR ORIGINAL. PLEASE APPROVE DIMENSIONS AND TOLERANCES INDICATED. CAN ART ASSUMES NO RESPONSIBILITY EITHER TECHNICAL OR LEGAL FOR HAVING THIS SHAPE MADE. THE CUSTOMER AGREES TO FULLY PROTECT CAN ART ALUMINUM FROM CLAIMS OF OTHERS RESULTING FROM THIS SHAPE.

SIGNED: _____ DATE: _____